



ÉMI-TÜV

# EU-TYPE EXAMINATION CERTIFICATE

According to Annex IV, Part A of 2014/33/EU Directive

Certificate No: F-0386/2021

Certificate Body of the Notified Body: ÉMI-TÜV SÜD Ltd.  
Dózsa György út 26.  
H-2000 Szentendre  
Identification No. 1417

Certificate holder: **Lift Service Bochum GmbH**  
Herzogstraße 32, 44807 Bochum, Germany

Manufacturer of the test sample: Lift Service Bochum GmbH  
Herzogstraße 32, 44807 Bochum, Germany

Product: Rupture valve

Type: LRS-EN 16

Directive: 2014/33/EU

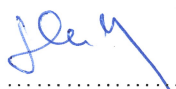
Reference Standards: EN 81-20:2014  
EN 81-50:2014

Test report: LAB-20-21/2021

Outcome: The safety component conforms to the essential health and safety requirements of the mentioned directive as long as the requirements of the annex of this certificate are kept.

Date of Issue: 2021-04-09



  
László, Hebők Jr.  
NB - 1417

## Annex to the EU-type examination certificate F-0386/2021

### 1. Scope of application:

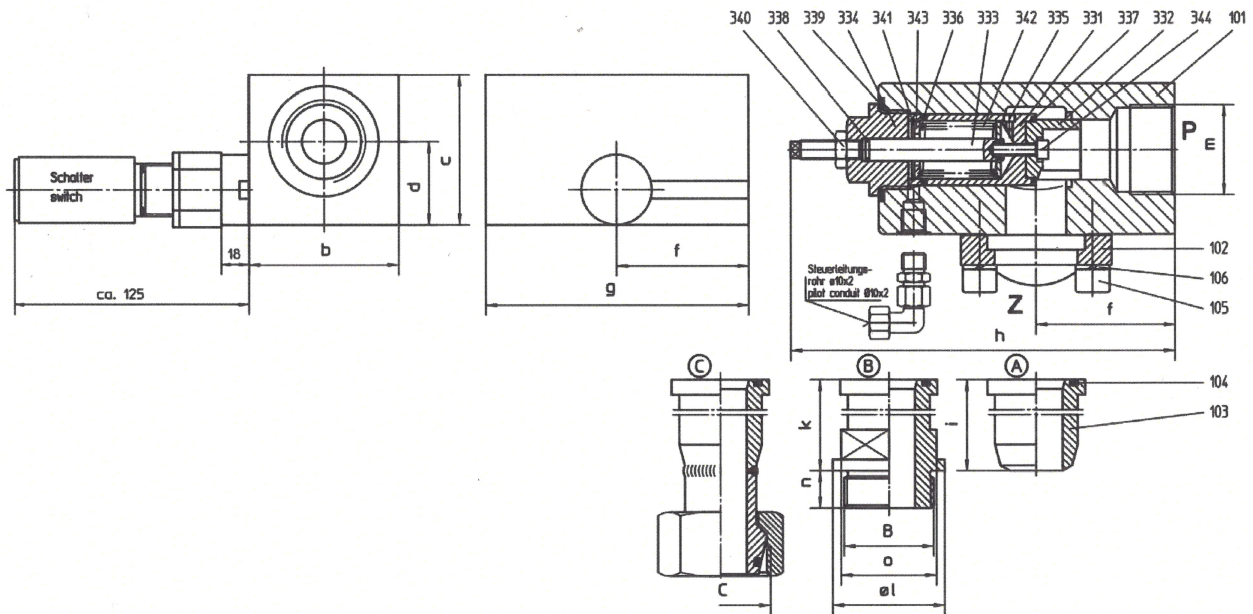
Type designation:	LRS-EN 16
Product type:	rupture valve
Field of application:	To be used for elevators in accordance with the directive 2014/33/EU
Flow range:	20 – 169 [l/min]
Pressure range:	10 – 100 [bar]
Viscosity range:	20 – 450 [mm <sup>2</sup> /s]
Temperature range:	0 – 65 [°C]

### 2. Remarks:

- 2.1. Each product must be accompanied by the instructions which are necessary for its operation and installation.
- 2.2. Rupture valves having a range of use and needing an adjustment according to the special conditions of the lift in which they are installed, shall be provided with means to prevent unauthorized readjustment. This can be done for instance by sealing.  

The correct adjustment and the means to prevent unauthorized re-adjustment are within the responsibility of the manufacturer of the rupture valve and the installer; the latter following the installation and adjustment instructions of the manufacturer.
- 2.3. Each product must bear a distinct indication of the manufacturer or importer and a type designation, so that the identity of the tested sample might be determined with the standard product launched on the market.
- 2.4. The EU type-examination certificate may only be used in connection with the pertinent Annex.
- 2.5. ÉMI-TÜV must immediately be notified if there are any changes in the products compared to the certified version.
- 2.6. The EU type-examination certificate may lose its validity if the requirements are modified.





Type	b	c	d	f	g	h	i	k	l	n	o	SW	weight [kg]	SAE (300 psi)			m	max. closing flow [l/min.]
														A	B	C		
LRS 16 E	60	60	36	55	120	160	65	65	43	18	36	2,5	¾"	G 1"	M 36x2	G 1"	169	
									53	20	46			G 1 ¼"				
LRS 32 E	90	90	45	77	160	210	75	75	60	22	50	9	1 ¼"	G 1 ½"	M 52x2	G 1 ½"	500	
									73	24	60			G 1 ½"				
LRS 50 E	100	100	50	90	190	240	85	85	73	24	60	13	2"	G 2"	M 65x2	G 2 ½"	1150	
														G 2 ½"				

part	E.-Nr.	LRS-EN 16-	LRS-EN 32-	LRS-EN 50-
jet	335	x		
O- ring	336	x		
O- ring	337	x	x	x
O- ring	338	x	x	x
USIT- ring	339	x	x	x
securing ring	341	x	x	x
spring	342	x	x	x
SAE- flange	102	x	x	x
O- ring	104	x	x	x

